



CEC

Patent pending
EP18382154

NEW Compact Efficient Changeover switches

63|80|100 A

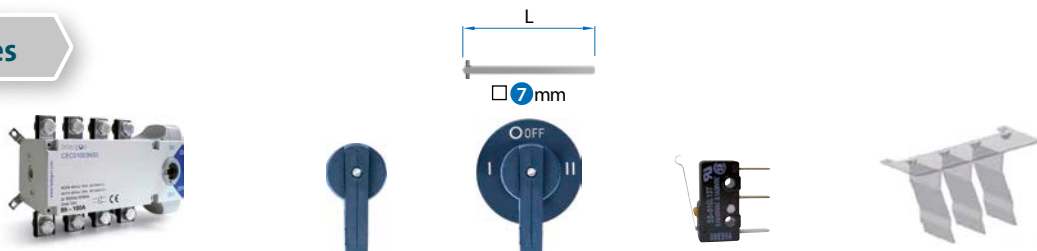
- | **Compact** size
- | **Flexible** mounting
- | **Innovative** single mechanism for COS function
- | **Lower** energy losses
- | **Not required** bridging links on outgoing side

telergon



gorlan
team

Range & Accessories

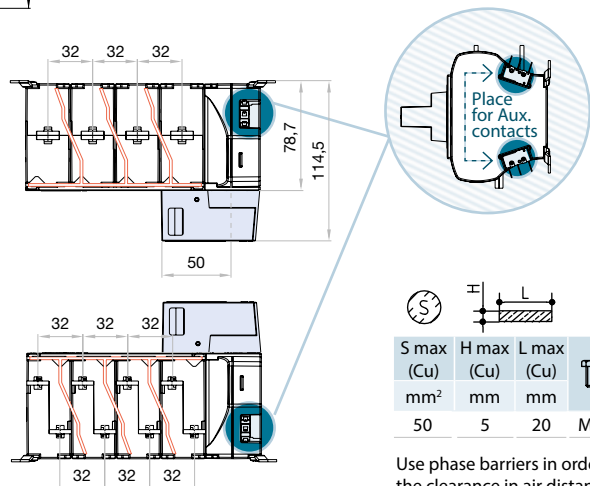
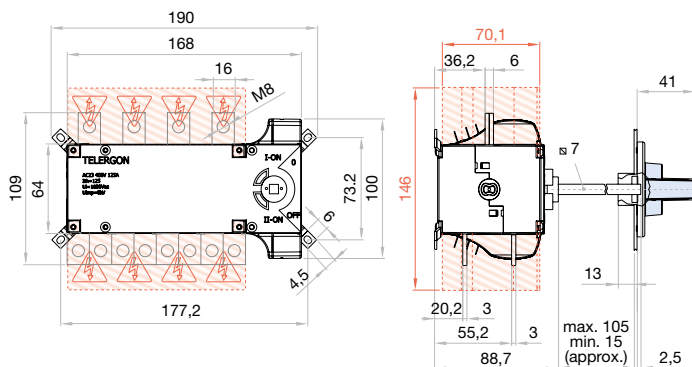
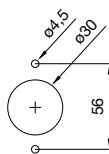


CEC Changeover switches 3 & 4 poles (63 - 100A) (I - O - II)					Direct handle	External handle ^{*(2)}	Auxiliary contacts ^{*(3)}	Phase barrier	
Amp	Size	Connection	3 pole (3P)	4 pole (3P + N) ^{*(1)}	Code	Included shaft (L=137 mm) Code	1NO+1NC Code	1 kit for input or output	
			Code	Code				3P	4P
63			CEC00633PS0	CEC00633NS0					
80	00		CEC00803PS0	CEC00803NS0	D5LSI01	DCELAB1	DCEAUB1	DCECUB1	DCECUB2
100			CEC01003PS0	CEC01003NS0					

^{*(1)} Neutral pole early make-late break.
^{*(2)} Padlockable handle in OFF 0 position.
^{*(3)} Ie = 0,1A (resistive) at 125 Vac.

Dimensions (mm)

Door drilling for external handle



S max (Cu)	H max (Cu)	L max (Cu)	T	M
mm ²	mm	mm		Nxm
50	5	20	M8	13

Use phase barriers in order to keep the clearance in air distances.

Technical information



According to IEC 60947-1 & 3 | IEC 60947-6-1

		63			80			100			
Rated thermal current in ambient at	I _{th}	40°C			A	63	80	100			
Rated insulation voltage (AC)	U _i	V			1000	1000	1000				
Rated impulse withstand voltage	U _{imp}	kV			12	12	12				
AC rated operational current ^{*(4)}	I _e	U _e	AC21A	A	63	80	100				
(Rated operational frequency 50/60 Hz)		400V	AC22A	A	50	80	100				
			AC31A	A	63	80	100				

		63			80			100		
Short-circuit behaviour										
Rated short-circuit making capacity ^{*(5)}	I _{cm}	kA (peak)	1.13	3.6	3.6					
Rated short-time withstand current (1s)	I _{cw}	kA rms	0.8	2.5	2.5					
Mechanical operations ^{*(6)}		Cycles	10000	10000	10000					
Maximum weight										
	3P	Kg	0,74	0,76	0,76					
	3P+N	Kg	0,93	0,95	0,95					

^{*(4)} Please, inquire for other voltages and/or utilization categories.
^{*(5)} Without limiting protective device (short-circuit maintained 50... 100ms).
^{*(6)} Please, inquire for more operations.



Telergon, S.A.U.
 Ctra. Castellón (Pol. La Cartuja)
 50720 La Cartuja Baja
 Zaragoza / Spain

Tel.: + 34 976 50 08 76
 Fax: + 34 976 50 03 14

E-mail: comercial@telergon.es
 www.telergon.com